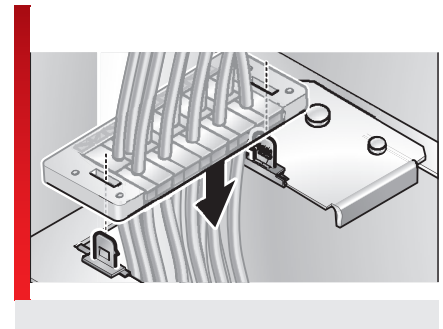
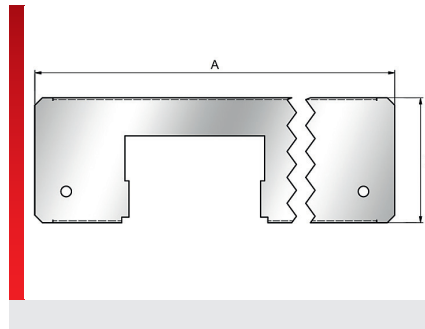
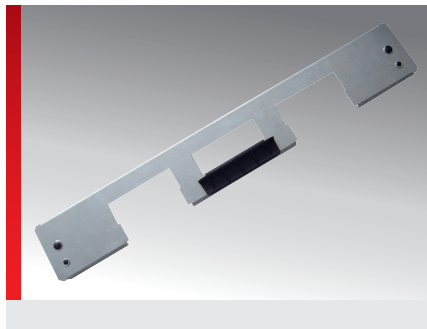


Control cabinet floor plate, type SBB



PRODUCT INFORMATION

The control cabinet floor plate can be installed in Rittal (type CM, TS8 and VX) control cabinets. Up to 5 cable entry systems can be installed.

The scope of delivery of the switch cabinet base plate (type SBB) includes the closure plates type VP 24 or VP/N 24. These are required to lock the floor sheeting into place. The SBB-VX control cabinet base plate is supplied without closing plates.

Unnecessary cut-outs can be covered with the BP/H 24 blanking plate.

- Protection category IP 54 when properly assembled as a system (control cabinet + floor plate)
- Can be installed entirely retrospectively
- Earthing points (M6 and M8) available on both side

SPECIFICATIONS

	Floor sheeting: Galvanised sheet steel Locking plate: Polyamide 6.6
	-40 – 125 °C
	IP 54 when installed properly
	V0
	Made in Germany

Type	Order No.	For control cabinet width mm	No. Holder slots	Cut-out	Plate thickness mm	A mm	B mm	Pack qty.
with through-hole								
SBB 660 - 3000	87821040	800.00	3x 24-pin	TS8	1.50	664.00	100.00	1

MATERIAL PROPERTIES

Floor sheeting: Galvanised sheet steel
Locking plate: Polyamide 6.6

Temperature / temperature range
-40 – 125 °C

MECHANICAL PROPERTIES

Protection class
IP 54 when installed properly

FIRE PROPERTIES

Fire classification
V0

Made in Germany

Control cabinet floor plate, type SBB

All details given in our sales brochures and catalogues, as well as the information available online, are based on our current knowledge of the products described.

The electronic data and files made available by Murrplastik, particularly CAD files are based on our current knowledge of the product described.

A legally binding assurance of certain properties or the suitability for a certain purpose can not be determined from this information.

All information with respect to the chemical and physical properties of Murrplastik products, as well as application advice given verbally, in writing or by tests, is given to the best of our knowledge.

This does not free the purchaser of carrying out their own inspections and tests in order to determine the suitability of a product for a specific purpose.

Murrplastik accepts no responsibility for the available information being up-to-date, correct or complete. Neither do we accept responsibility for the quality of this information.

Murrplastik accepts no liability for damage caused as a result of using our products.

Murrplastik reserves the right to make technical changes and improvements through constant further development of products and services.

Our General Terms and Conditions apply.

© Murrplastik Systemtechnik GmbH • prvlD_58255~20190525~890287~87821040