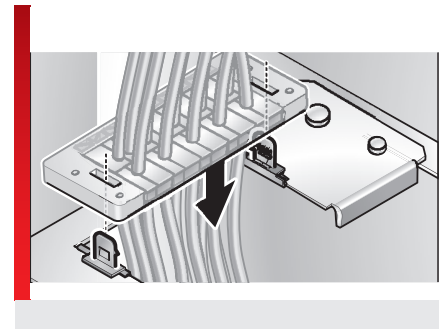
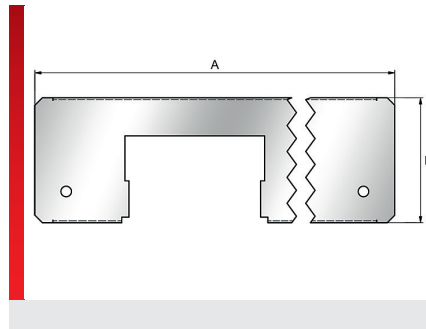
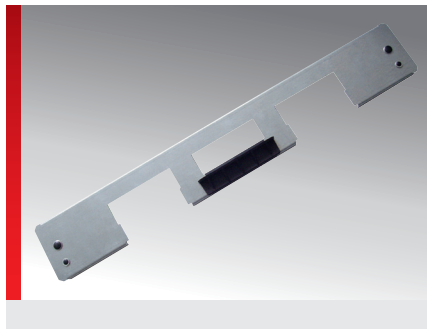


## Control cabinet floor plate, type SBB



Accessories

### PRODUCT INFORMATION

The control cabinet floor plate can be installed in Rittal (type CM, TS8 and VX) control cabinets. Up to 5 cable entry systems can be installed.

The scope of delivery of the switch cabinet base plate (type SBB) includes the closure plates type VP 24 or VP/N 24. These are required to lock the floor sheeting into place. The SBB-VX control cabinet base plate is supplied without closing plates.

Unnecessary cut-outs can be covered with the BP/H 24 blanking plate.

- Protection category IP 54 when properly assembled as a system (control cabinet + floor plate)
- Can be installed entirely retrospectively
- Earthing points (M6 and M8) available on both side

### SPECIFICATIONS

	Floor sheeting: Galvanised sheet steel
	Locking plate: Polyamide 6.6
	-40 – 125 °C
	IP 54 when installed properly
	V0
	Made in Germany

Type	Order No.	For control cabinet width mm	No. Holder slots	Cut-out	Plate thickness mm	A mm	B mm	Pack qty.
<b>and M5 threads</b>								
SBB-M5 420-2000 <sup>1)</sup>	87821012	1000.00	2x 24-pin	TS8	1.50	424.00	100.00	1
SBB-M5 460-2000	87821022	600.00	2x 24-pin	TS8	1.50	464.00	100.00	1
SBB-M5 520-3000 <sup>1)</sup>	87821032	1200.00	3x 24-pin	TS8	1.50	524.00	100.00	1
SBB-M5 660-3000	87821042	800.00	3x 24-pin	TS8	1.50	664.00	100.00	1
SBB-VX-M5 440 <sup>1)</sup>	87821013	1000.00	2x 24-pin	VX	1.50	440.00	100.00	1
Without VP,								
SBB-VX-M5 490	87821023	600.00	2x 24-pin	VX	1.50	490.00	100.00	1
Without VP,								
SBB-VX-M5 540 <sup>1)</sup>	87821033	1200.00	3x 24-pin	VX	1.50	540.00	100.00	1
Without VP,								
SBB-VX-M5 690	87821043	800.00	3x 24-pin	VX	1.50	690.00	100.00	1
Without VP,								
<b>with through-hole</b>								
SBB 420 - 2000 <sup>1)</sup>	87821010	1000.00	2x 24-pin	TS8	1.50	424.00	100.00	1
SBB 460 - 2000	87821020	600.00	2x 24-pin	TS8	1.50	464.00	100.00	1
SBB 520 - 3000 <sup>1)</sup>	87821030	1200.00	3x 24-pin	TS8	1.50	524.00	100.00	1
SBB 660 - 3000	87821040	800.00	3x 24-pin	TS8	1.50	664.00	100.00	1
SBB 860 - 5000 <sup>2)</sup>	87821050	1000.00	5x 24-pin	TS8	1.50	864.00	100.00	1
SBB-VX 440 <sup>1)</sup>	87821011	1000.00	2x 24-pin	VX	1.50	440.00	100.00	1
Without VP,								
SBB-VX 490	87821021	600.00	2x 24-pin	VX	1.50	490.00	100.00	1
Without VP,								
SBB-VX 540 <sup>1)</sup>	87821031	1200.00	3x 24-pin	VX	1.50	540.00	100.00	1

## Control cabinet floor plate, type SBB

Type	Order No.	For control cabinet width mm	No. Holder slots	Cut-out	Plate thickness mm	A mm	B mm	Pack qty.
Without VP,								
SBB-VX 690	87821041	800.00	3x 24-pin	VX	1.50	690.00	100.00	1
Without VP,								
<b>Spare part: Locking plate</b>								
VP24	87821090							5
suitable for KDL/E 24								
VP/N 24	87821092							5
suitable for KDP, KDL/C and KDL/D 24								
1) Cabinet width with central strut								
2) Cabinet width without central strut								

### MATERIAL PROPERTIES



Floor sheeting: Galvanised sheet steel  
Locking plate: Polyamide 6.6



**Temperature / temperature range**  
-40 – 125 °C

### MECHANICAL PROPERTIES



**Protection class**  
IP 54 when installed properly

### FIRE PROPERTIES



**Fire classification**  
V0



**Made in Germany**

All details given in our sales brochures and catalogues, as well as the information available online, are based on our current knowledge of the products described.

The electronic data and files made available by Murrplastik, particularly CAD files are based on our current knowledge of the product described.

A legally binding assurance of certain properties or the suitability for a certain purpose can not be determined from this information.

All information with respect to the chemical and physical properties of Murrplastik products, as well as application advice given verbally, in writing or by tests, is given to the best of our knowledge.

This does not free the purchaser of carrying out their own inspections and tests in order to determine the suitability of a product for a specific purpose.

Murrplastik accepts no responsibility for the available information being up-to-date, correct or complete. Neither do we accept responsibility for the quality of this information.

Murrplastik accepts no liability for damage caused as a result of using our products.

Murrplastik reserves the right to make technical changes and improvements through constant further development of products and services.

Our General Terms and Conditions apply.